



CAPACITIVE BLOCKED CHUTE / LEVEL SENSOR

Approved for explosive atmospheres:
ATEX and IECEx zones 20, 21, and 22 for dust;
ATEX and IECEx zone 0, 1, and 2 for gas

Application:

- Detects blocked chute condition
• Can detect high and low levels of material
• Capacitive sensor with smart calibration to ignore dust build-up

Features:

- 24-240 VAC/VDC multi voltage power supply
• 2 and 4 wire versions available
• IP 66 rated
• M30 x 1.5 ISO threaded polycarbonate body
• Blue and green LED's showing output state
• 25mm detection range
• Easy calibration with a magnets
• Configurable polarity selection with a magnet

Part numbers:

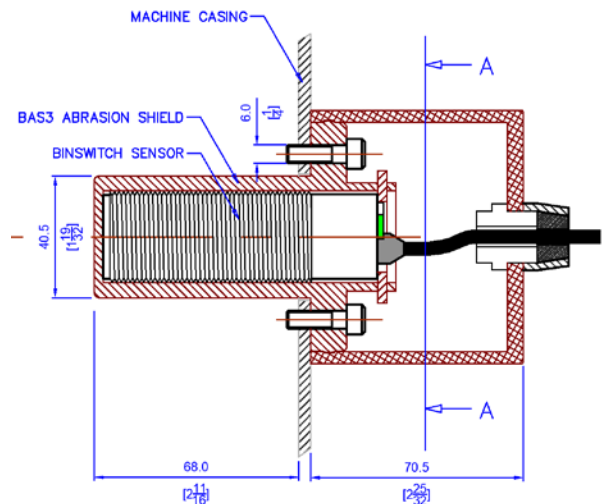
- BSE12V10AI – 2-wire model
• BSE15V10AI – 5-wire model

Accessories:

- BAS3 – Abrasion shield and mounting bracket



BinSwitch Elite sensor
mounted with the BAS3 abrasion shield

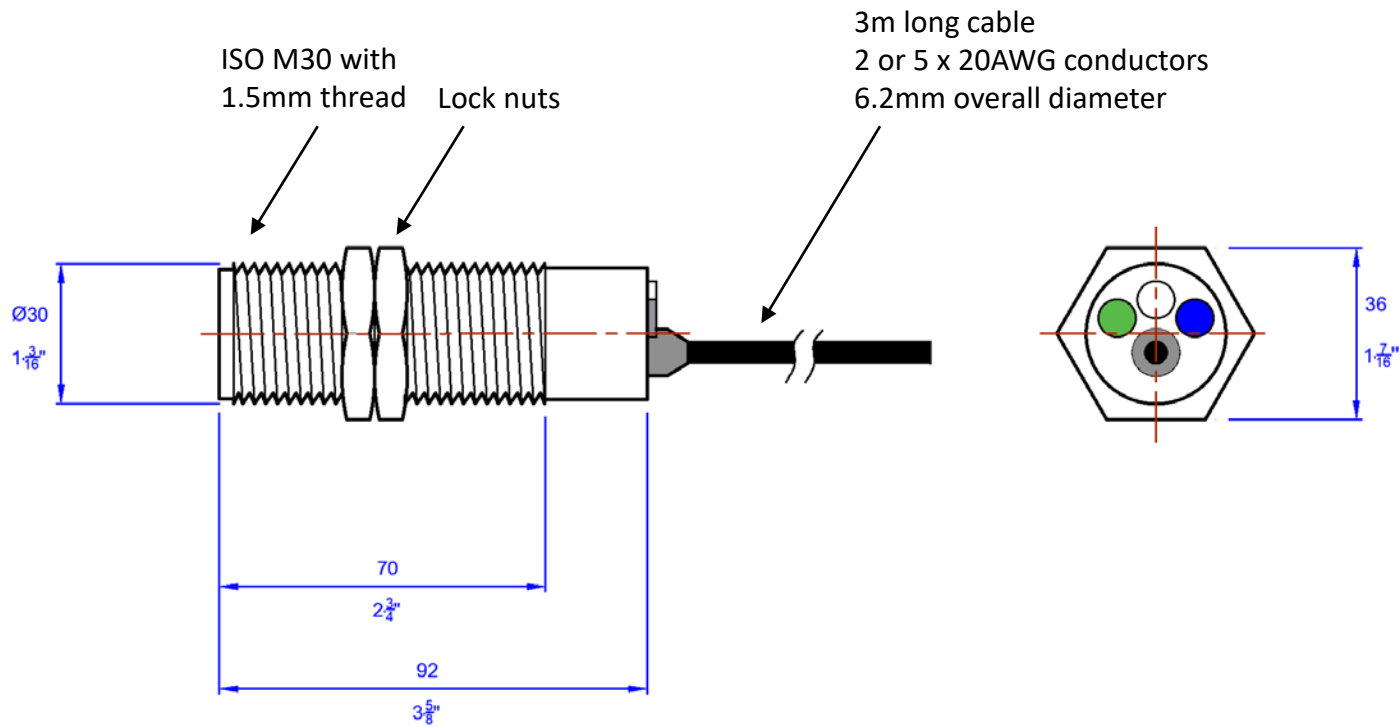




TECHNICAL SPECIFICATIONS

Model	BSE12V10AI	BSE15V10AI
Power supply	24-240 VAC/VDC	24-240 VAC/VDC
Output	FET	SPCO relay
Number of wires	2	5
Detection range	25 mm	25 mm
Switching Voltage	24-240 VAC/VDC	60VDC/VAC
Switching Capacity	100mA	3A
Detection Polarity	Configurable	Configurable
Operating temperature range	-15°C to +50°C	-15°C to +50°C
Certificates and approvals	ATEX and IECEx Zone 20, Zone 0	ATEX and IECEx Zone 20, Zone 0
Protection	IP66	IP66

DIMENSIONS



Note: All dimensions are given in mm and inches