

2 way ball valve M1 manual
with integrated Praher Labeling System



General:

- Material: PVC-U
- Seal material: EPDM / FPM
- Ball seating joint: PTFE
- Dimensions: DN10 – DN80
d16 – d100
d3/8" – d4"

Connection types:

- Solvent socket DIN / ASTM / JIS
- Solvent spigot DIN
- Threaded socket BSP / NPT
- PE fusion spigot DIN
- PE fusion socket DIN
- Fixed flange DIN / ANSI / JIS

Operating pressure:

PVC DN10 – DN80 PN16

Technical features:

- Silicone free
- Buttress thread
- Safety locking handle system
- Double axial gasket
- Floating ball
- Double sided blocked ball
- Adjustable ball seating joint
- Integrated fixations for bracket mounting
- Integrated bottom mounting stand
- Radial installation or removal
- Maintenance free

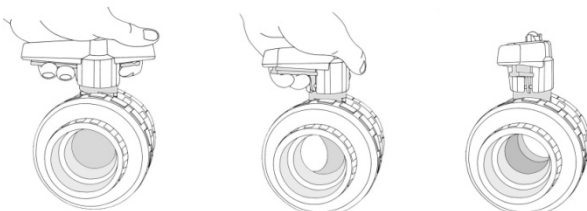
Accessories:

- Clamping / spacing element
- Adapter set*
- Position feedback for ball valve hand and automatic operated*

*see data sheet „M1 with Adapterset“ and „M1 with position indication“

This document does not constitute a guarantee, it is for initial information purposes only. The product range is continually upgraded, the designs and types therefore only reflect the state of the art at the time of printing. Subject to technical modifications!

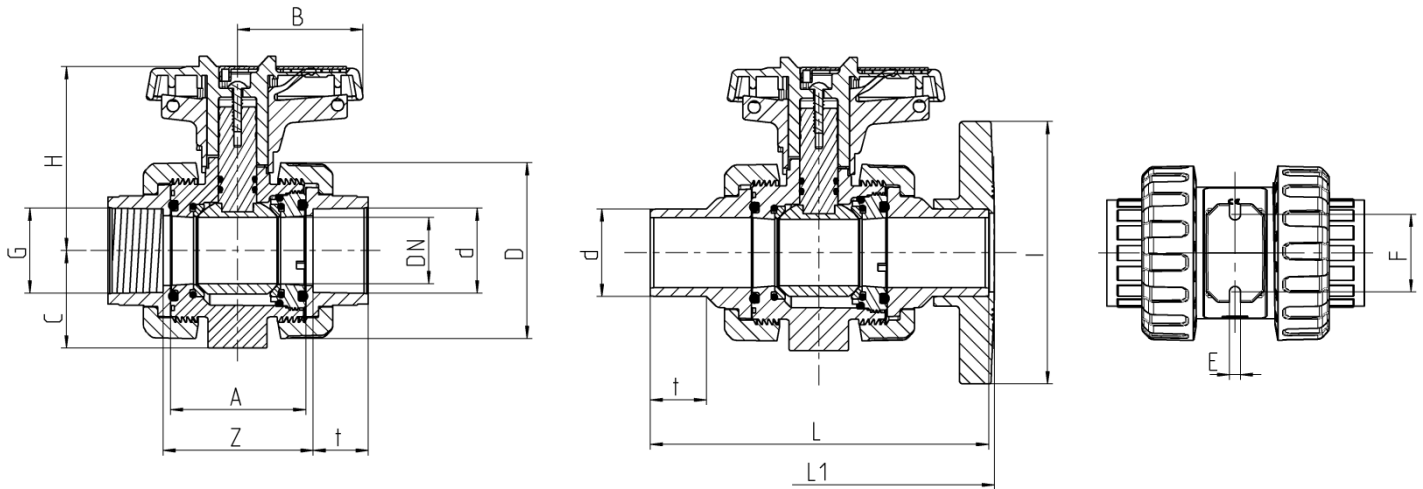
SAFETY LOCKABLE HANDLE SYSTEM



2 way ball valve M1 manual with integrated Praher Labeling System



Dimensions:



PVC-U

Connection types

PVC Solvent socket / Solvent spigot / Threaded socket / Fixed flange

PE Fusion spigot / Fusion socket

DN	10	15	20	25	32	40	50	65	80	80
d	16	20	25	32	40	50	63	75	90	110
G TSO ¹	3/8"	1/2"	3/4"	1"	1 1/4"	1 1/2"	2"	2 1/2"	3"	4"
A	45	45	53,5	54	62	78	87	111,5	135,5	135,5
B	39,5	39,5	51	51	63,5	72	84	110	132	132
C	33	33	40	43	51	56	64	85	100	100
D	55,5	55,5	62	70	84	101	115	149	182	182
E	5,5	5,5	5,5	6,5	6,5	6,5	6,5	8,3	10,3	10,3
F	34	34	36	38	40	45	50	65	80	80
H	70,5	70,5	77	79,5	98	105,5	114	142	153	153
I	-	97	105	125	140	150	165	185	200	-
t SSO ²	16	16,5	19,5	23	26,5	31,5	38,5	44,5	56,5	61
t SSP ³	17	16,5	19,5	23	26,5	31,5	38,5	44,5	54	-
t FSP ⁴ PE	13	14	15,5	18,5	15	29	31	32	30	-
t FSO ⁵ PE	14,5	16	17	19	21,5	25	29,5	34,5	38	42
Z SSO ²	51	50	59,5	60	68,5	86	98	122	152,5	162
Z TSO ¹	48	50	60	60	68	87	98	122	156	-
Z FSP ⁵ PE	52,5	50	62	64,5	75	97	110,5	139,5	181,5	185,5
L SSP ³	98	123,5	143,5	153,5	173,5	193,5	223,5	259,5	297	-
L FSP ⁴ PE	95	106,5	126,5	131	120	162,5	175	227	265,5	-
L1 FF ⁶	-	130	150	160	180	200	230	266	307,5	-
PN	16	16	16	16	16	16	16	16	16	16

Dimensions in mm

¹ TSO = Threaded socket

² SSO = Solvent socket

³ SSP = Solvent spigot

⁴ FSP = Fusion spigot

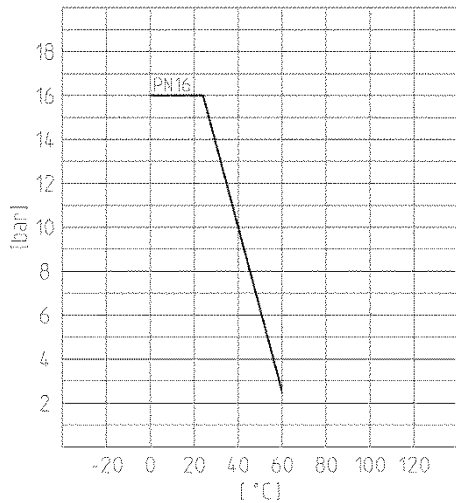
⁵ FSO = Fusion socket

⁶ FF = Fixed flange

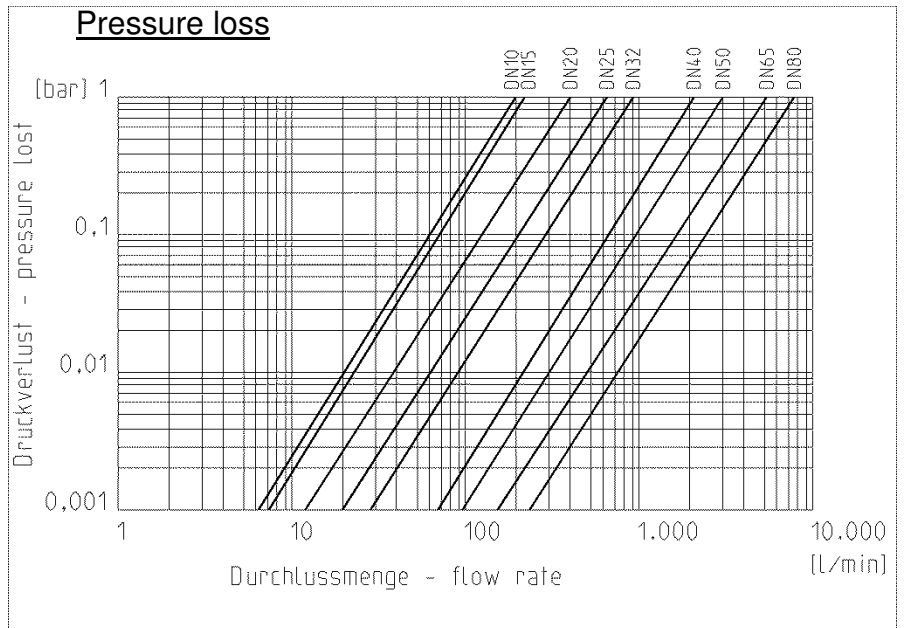
- = currently not released

Diagrams:

Pressure - Temperature



Pressure loss

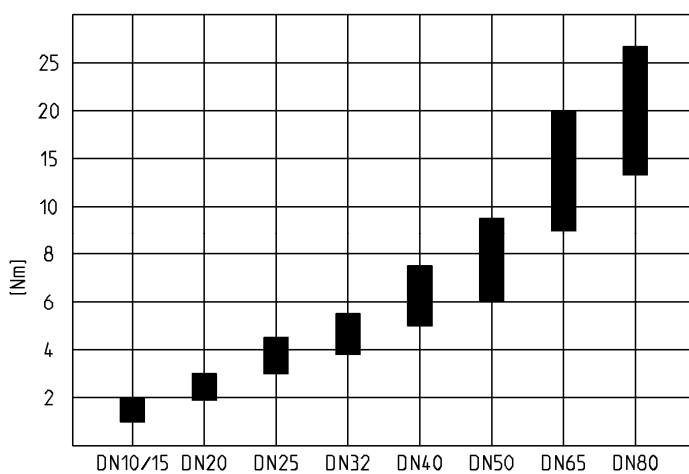


Cv value table

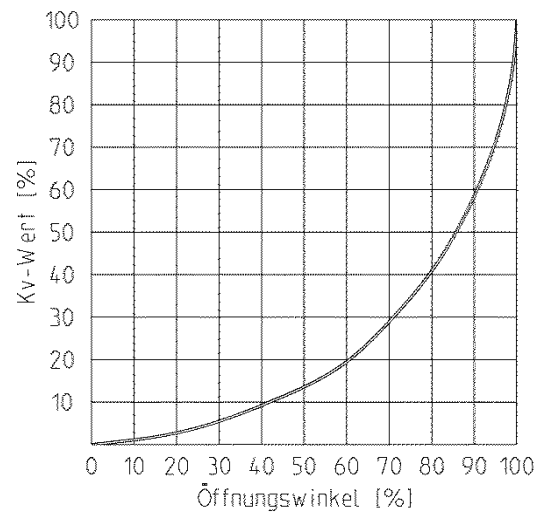
Pressure loss	DN10 d16	DN15 d20	DN20 d25	DN25 d32	DN32 d40	DN40 d50	DN50 d63	DN65 d75	DN80 d90	DN80 d110
0,001 bar	6,2	7,1	12,6	19,9	28,4	67	94,8	162,8	240,3	240,3
1 bar	198	225	400	630	900	2120	3000	5150	7600	7600

Angaben in l/min (PN16 Rohr)

Torque



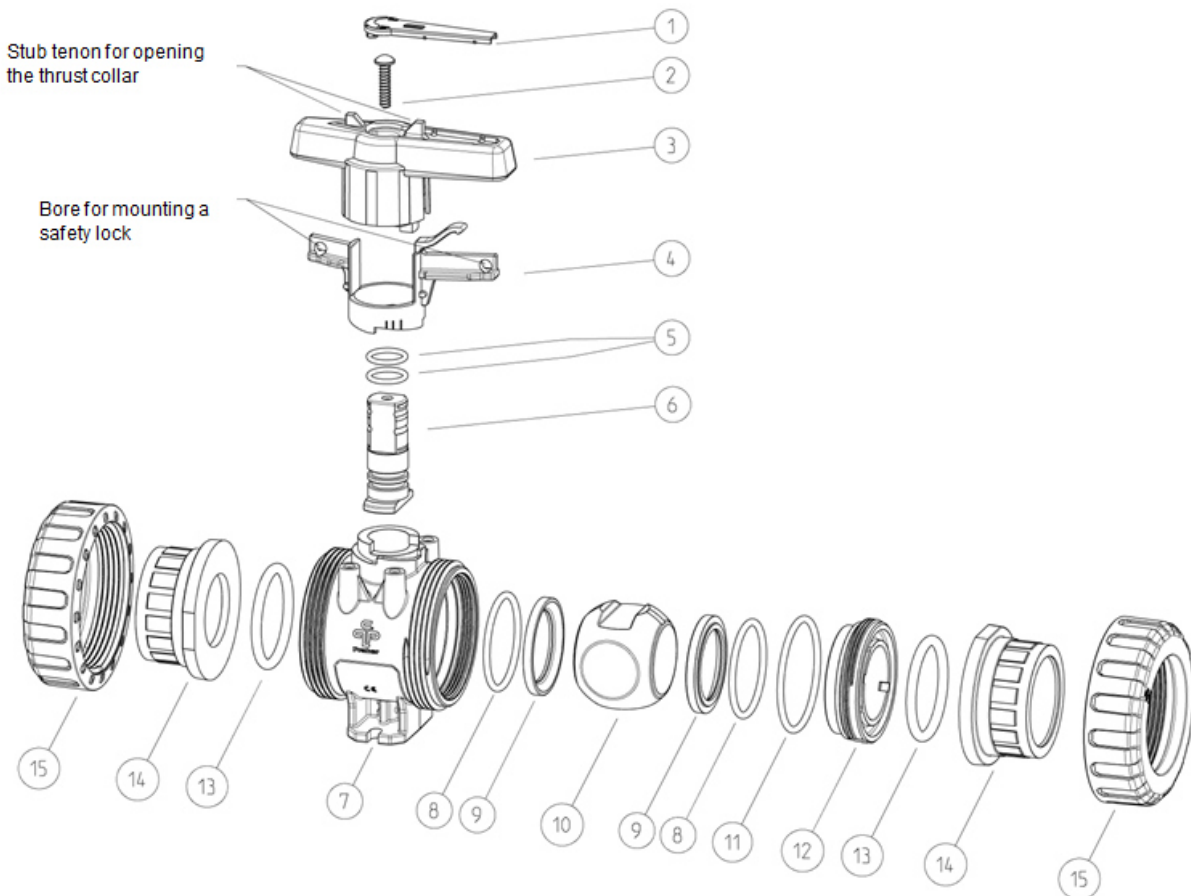
Flow characteristic



2 way ball valve M1 manual
with integrated Praher Labeling System

Exploded drawing:

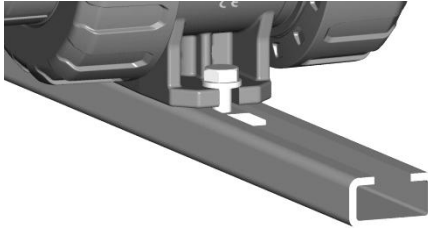
- | | |
|---|---|
| <ul style="list-style-type: none"> 01. Labeling plate 02. Screw 03. Handle 04. Spring loaded locking sleeve 05. O-Ring 06. Shaft 07. Body 08. O-Ring 09. Ball seating joint | <ul style="list-style-type: none"> 10. Ball 11. O-Ring 12. Thrust collar 13. O-Ring 14. Connector types
Solvent socket / - spigot
Threaded socket
Fusion socket /- spigot 15. Union nut |
|---|---|



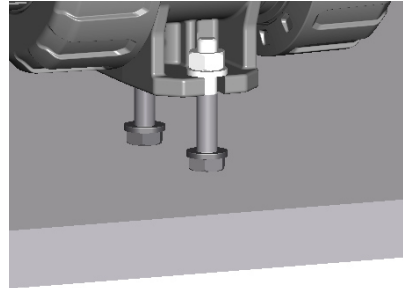
2 ball valve M1 manually with integrated Praher Labeling System

Bottom mounting stand – mounting possibilities:

- Assembly rail



- Plate



- Masonry / Concrete
 - Hanger screw and dowel required



PLS – Praher Labeling System



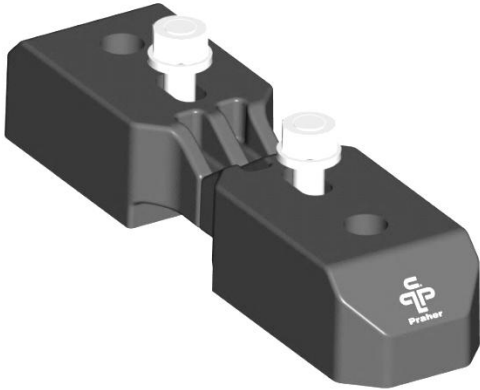
Technical features:

- Clear and durable label
- Convenient marking by touch-up pen or laser engraving
- Standard version available with yellow plate; other colors available in red, blue and green
- Simple and easy to change
- Corrosion-resistant
- No effect on the function of the handle

2 way ball valve M1 manual with integrated Praher Labeling System

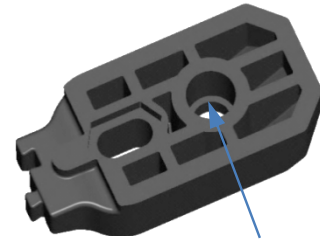
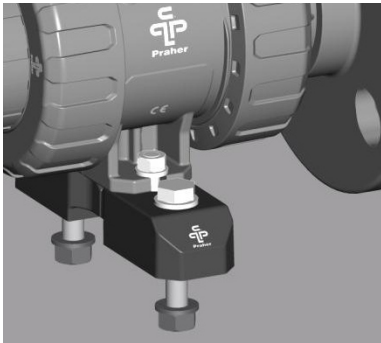
Accessories

Clamping / spacing element:



Technical features:

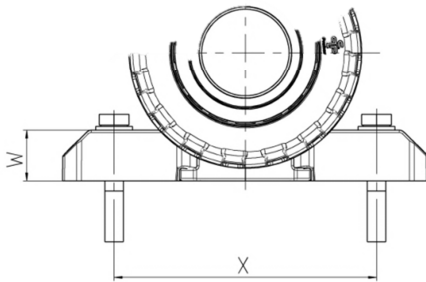
- Using for fixing as:
 - Clamping element
 - floors, walls, ceilings
 - plate
 - Spacing element
(screws additionally necessary)
 - for flange connection
- Bore for threaded bush



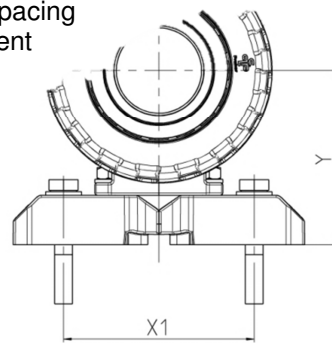
Bore for threaded bush

Dimensions:

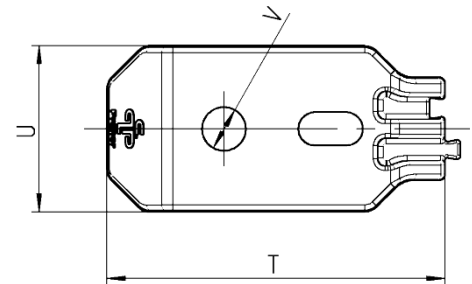
Use as clamping
element



Use as spacing
element



DN	10	15	20	25	32	40	50
d	16	20	25	32	40	50	63
T	54	54	54	65	65	65	65
U	25	25	25	32	32	32	32
V	6,5	6,5	6,5	8,5	8,5	8,5	8,5
W	16	16	16	22	22	22	22
X	90	90	94	107	109	114	119
X1	70	70	70	85	85	85	85
Y	49	49	56	65	73	78	86



Dimensions in mm

2 way ball valve M1 manual
with integrated Praher Labeling System



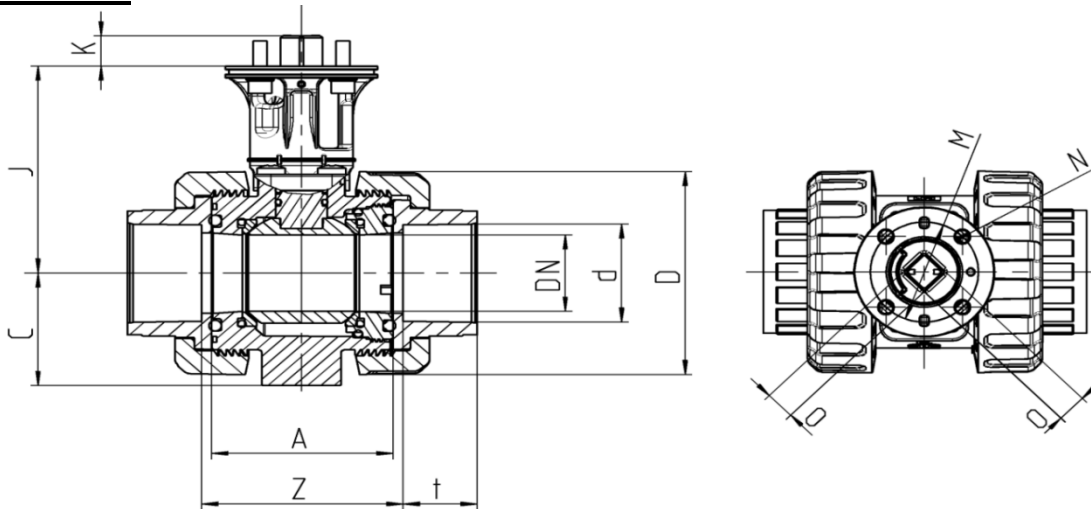
Adapter set for automatisaton:



Technical features:

- Adapter set for mounting of actuator and position feedback
- Coupling – actuator
- Material bracket and coupling: PA-GF
- Includes stainless steel bolts

Dimensions:



Connector type
PVC solvent socket

DN	10	15	20	25	32	40	50	65	80	80
d	16	20	25	32	40	50	63	75	90	110
ISO Flange	F04	F04	F04	F04	F05	F05	F05	F07	F07	F07
A	45	45	53,5	54	62	78	87	111,5	135,5	135,5
C	33	33	40	43	51	56	64	85	100	100
D	55,5	55,5	62	70	84	101	115	149	182	182
J	80	80	85,5	88	97	103	109,5	136,5	159,5	159,5
K	11	11	11	11	15	15	15	18	18	18
M	42	42	42	42	50	50	50	70	70	70
N	5,5	5,5	5,5	5,5	6,5	6,5	6,5	8,5	8,5	8,5
O	11	11	11	11	11	14	14	17	17	17
t	16	16,5	19,5	23	26,5	31,5	38,5	44,5	56,5	61
Z	51	50	59,5	60	68,5	86	98	122	152,5	162
PN	16	16	16	16	16	16	16	16	16	16

Dimensions in mm

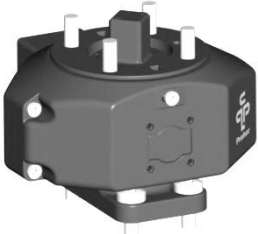
2 way ball valve M1 manual with integrated Praher Labeling System

Position feedback:

For manual ball valve



For automatic ball valve

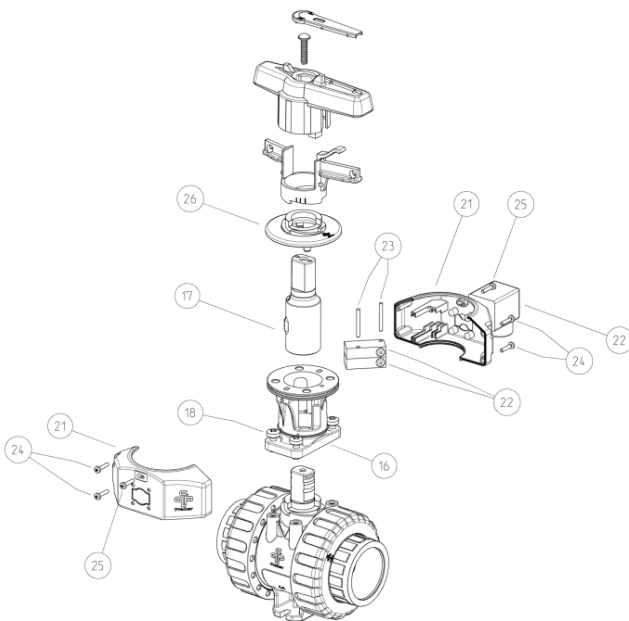


Technical features:

- Limit switch IP67
 - mechanical
 - Ag-Ni NO
 - Ag-Ni NC (on request)
 - Au NO (on request)
 - Au NC (on request)
 - inductive (on request)
 - NPN/PNP
 - Namur (on request)
- adjustable
- incl. stainless steel bolts
- incl. device plug

Exploded drawings:

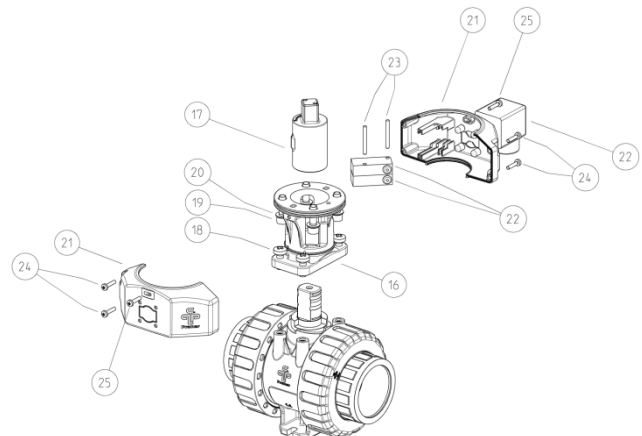
Ball valve manual with position feedback



- 16. Bracket (material : PA-GF)
- 17. Coupling shaft (material: PA-GF)
- 18. Screw
- 19. Hexagon socket screw

- 20. Toothed washer
- 22. Limit switch
- 24. Screw
- 26. Cover

Ball valve with adapter set for automatic version and position feedback



- 21. Half-shells (material: ABS)
- 23. Pin
- 25. Locking screw for adjusting position feedback

Technical data position feedback:

Limit switch mechanical		
Type	(Ag-Ni) NO/NC*	(Au) NO*/NC*
Voltage max.	15-250V AC (15-30V DC)	5-250V AC (5-30V DC)
Current max.	100mA-5A	1mA-3A
Protection limit switch	IP67	
Protection DIN-plug	IP65	
Ambient temperature	Operating: -10°C bis +50°C	
Electrical wiring	NO	NC

* on request

Limit switch inductive		
Type	NPN*/PNP*	NAMUR* EMV acc. IEC / EN 60947-5-2:2004; NE 21 DIN EN 60947-5-6
Voltage max.	10-30V DC	8V DC
Current max.	0-100mA	NAMUR intrinsically safe
Protection limit switch	IP67	
Protection DIN-plug	IP65	
Ambient temperature	Operating: -10°C bis +50°C	
Electrical wiring		

* on request