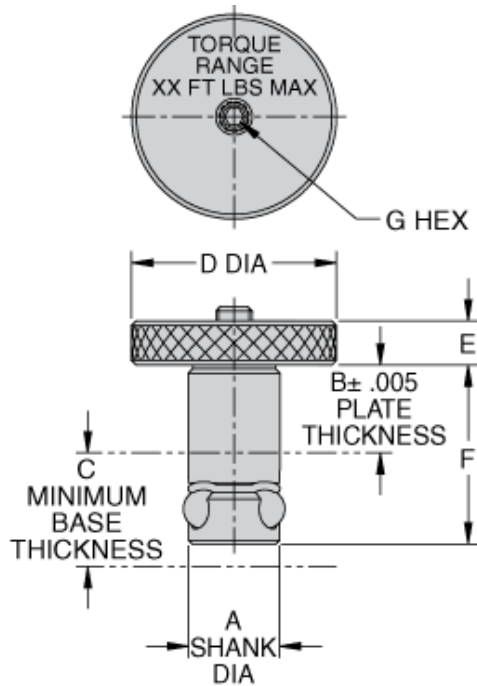


CARR LOCK® CLAMPS



CARR LOCK CLAMPS (USA PLATE THICKNESSES)

PART NO.	A SHANK DIA		B		C	D DIA	E	F	G	MAX SCREW TORQUE (FT-LBS)	MAX HOLD- DOWN FORCE (LBS)
	NOM	ACTUAL	NOM	ACTUAL							
CL-13-CLC-0.50	13mm	.5116	1/2	.500	.75	7/8	1/4	1.08	3/32	1	750
CL-13-CLC-0.75		.5111	3/4	.750				1.33			
CL-16-CLC-0.50	16mm	.6297	1/2	.500	.75	1-1/2	5/16	1.15	1/8	2	1200
CL-16-CLC-0.75		.6292	3/4	.750				1.40			
CL-20-CLC-0.75	20mm	.7872	3/4	.750	.83	1-3/4	3/8	1.53	1/8	3	3000
CL-20-CLC-1.00		.7867	1	1.000				1.78			
CL-25-CLC-0.75	25mm	.9841	3/4	.750	1.00	2	3/8	1.70	5/32	7	7000
CL-25-CLC-1.00		.9836	1	1.000				1.95			
CL-30-CLC-0.75	30mm	1.1809	3/4	.750	1.23	2-1/4	1/2	1.88	3/16	12	10000
CL-30-CLC-1.00		1.1804	1	1.000				2.13			
CL-35-CLC-0.75	35mm	1.3778 1.3773	3/4	.750	1.28	2-1/4	1/2	1.97	1/4	19	15500
CL-35-CLC-1.00			1	1.000				2.22			
CL-35-CLC-1.50			1-1/2	1.500				2.72			
CL-35-CLC-2.00			2	2.000				3.22			
CL-50-CLC-1.00	50mm	1.9683 1.9678	1	1.000	1.80	3	3/4	2.70	3/8	38	20000
CL-50-CLC-1.50			1-1/2	1.500				3.20			
CL-50-CLC-2.00			2	2.000				3.70			

CARR LOCK CLAMPS (METRIC PLATE THICKNESSES)

PART NO.	A SHANK DIA		B		C	D DIA	E	F	G	MAX SCREW TORQUE (FT-LBS)	MAX HOLD- DOWN FORCE (LBS)
	NOM	ACTUAL	NOM	ACTUAL							
CLM-13-CLC-13	13mm	.5116	13mm	.512	.75	.87	.236	1.09	2.5mm	1	750
CLM-13-CLC-20		.5111	20mm	.787				1.36			
CLM-16-CLC-20	16mm	.6297	20mm	.787	.75	1.50	.315	1.44	3mm	2	1200
CLM-16-CLC-25		.6292	25mm	.984				1.63			
CLM-20-CLC-20	20mm	.7872	20mm	.787	.83	1.77	.394	1.56	3mm	3	3000
CLM-20-CLC-25		.7867	25mm	.984				1.75			
CLM-25-CLC-20	25mm	.9841	20mm	.787	1.00	1.97	.394	1.73	4mm	7	7000
CLM-25-CLC-25		.9836	25mm	.984				1.93			



**CARR LOCK CLAMPS (USA PLATE THICKNESSES)
WITH KNURLED-HEAD SCREW**

PART NO.	A SHANK DIA		B		C	D DIA	E	F	G	MAX SCREW TORQUE (FT-LBS)	MAX HOLD- DOWN FORCE (LBS)
	NOM	ACTUAL	NOM	ACTUAL							
CL-16-CLCK-0.50	16mm	.6297	1/2	.500	.75	1-1/2	5/16	1.15	1/8	2	1200
CL-16-CLCK-0.75		.6292	3/4	.750				1.40			
CL-20-CLCK-0.75	20mm	7872	3/4	.750	.83	1-3/4	3/8	1.53	1/8	3	3000
CL-20-CLCK-1.00		.7867	1	1.000				1.78			

SPARE PARTS KITS (USA PLATE THICKNESSES)*

PART NO. SPARE PARTS KIT	FOR CLAMP	A SHANK DIA	B PLATE THICKNESS
CL-13-CLPK-0.50	CL-13-CLC-0.50	13mm	1/2
CL-13-CLPK-0.75	CL-13-CLC-0.75		3/4
CL-16-CLPK-0.50	CL-16-CLC-0.50	16mm	1/2
CL-16-CLPK-0.75	CL-16-CLC-0.75		3/4
CL-20-CLPK-0.75	CL-20-CLC-0.75	20mm	3/4
CL-20-CLPK-1.00	CL-20-CLC-1.00		1
CL-25-CLPK-0.75	CL-25-CLC-0.75	25mm	3/4
CL-25-CLPK-1.00	CL-25-CLC-1.00		1
CL-30-CLPK-0.75	CL-30-CLC-0.75	30mm	3/4
CL-30-CLPK-1.00	CL-30-CLC-1.00		1
CL-35-CLPK-0.75	CL-35-CLC-0.75	35mm	3/4
CL-35-CLPK-1.00	CL-35-CLC-1.00		1
CL-35-CLPK-1.50	CL-35-CLC-1.50		1-1/2
CL-35-CLPK-2.00	CL-35-CLC-2.00		2
CL-50-CLPK-1.00	CL-50-CLC-1.00	50mm	1
CL-50-CLPK-1.50	CL-50-CLC-1.50		1-1/2
CL-50-CLPK-2.00	CL-50-CLC-2.00		2

*Spare Parts Kit includes screw, center ball, locking balls, and O-ring.

SPARE PARTS KITS (METRIC PLATE THICKNESSES)*

PART NO. SPARE PARTS KIT	FOR CLAMP	A SHANK DIA	B PLATE THICKNESS
CLM-13-CLPK-13	CLM-13-CLC-13	13mm	.512
CLM-13-CLPK-20	CLM-13-CLC-20		.787
CLM-16-CLPK-20	CLM-16-CLC-20	16mm	.787
CLM-16-CLPK-25	CLM-16-CLC-25		.984
CLM-20-CLPK-20	CLM-20-CLC-20	20mm	.787
CLM-20-CLPK-25	CLM-20-CLC-25		.984
CLM-25-CLPK-20	CLM-25-CLC-20	25mm	.787
CLM-25-CLPK-25	CLM-25-CLC-25		.984

*Spare Parts Kit includes screw, center ball, locking balls, and O-ring.



en_252